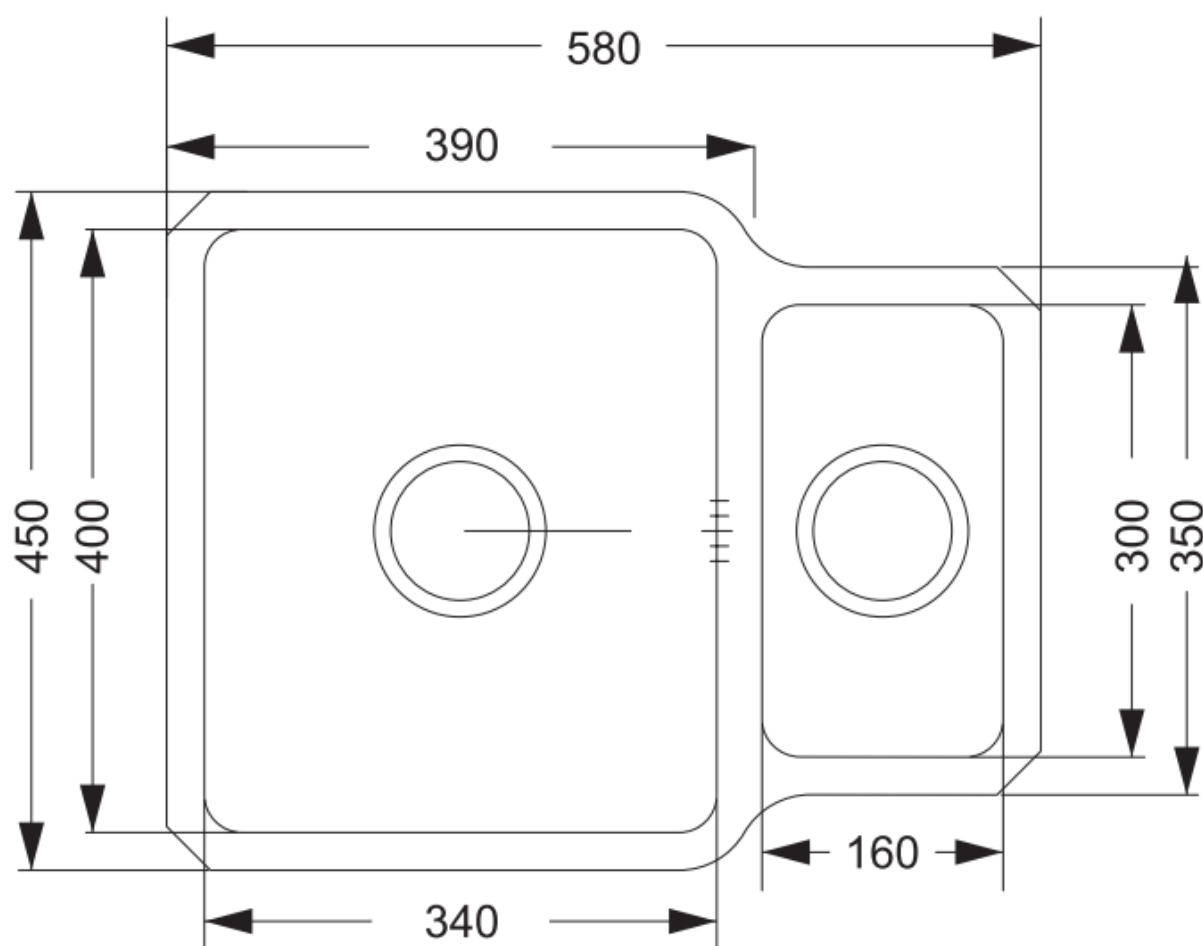


Product Data Sheet



Prima Code	CPR052
Description	PRIMA+ 1.5B R25 REV UM SINK STST
Colour	Polished Stainless Steel
Material	SS304 Stainless Steel
Stainless Steel Thickness (mm)	0.8
Finish	Polished
Fitting Style	Undermount
Sealant Strip (Incl./Separate)	N/A
No. Drainers	0
No. Tap Holes	0
Dimensions (mm)	W580 x D450 x H190
Main Bowl Dimensions (mm)	W340 x D400 x H190
Small Bowl Dimensions (mm)	W160 x D300 x H110
Cut out depth (mm)	300
Cut out width (mm)	540
Minimum cabinet width (mm)	600
Main Bowl Radius (mm)	25
Small Bowl Radius (mm)	25
Drainer (RH/LH)	No Drainer
Reversible	Yes
Accessories (included)	Waste, overflow, clips & Cut out guide
Accessories (optional)	CPR108 Plumbing kit
Waste disposer compatible	Yes
Boxed/Sleeved packaging	Boxed
Guarantee	Lifetime